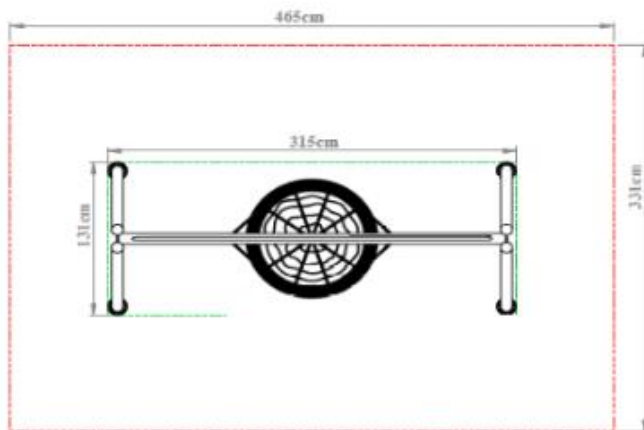
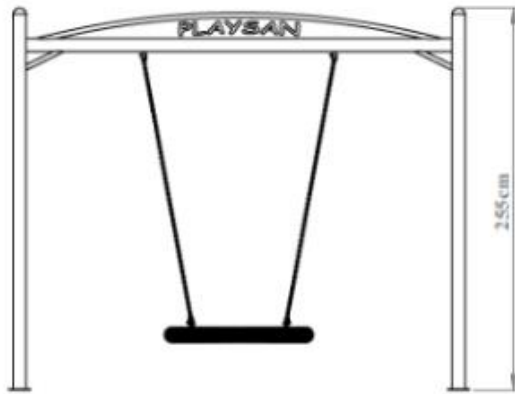


PC-23

Eco Bird Nest Swing

- The cutting points of the horizontal and vertical pipes from the SDM pipe with a diameter of 89 mm are connected with laser-cut metal parts
- The open parts of the 89 mm diameter SDM pipes are detailed to prevent rusting caused by water and moisture, shaped with hemispherical injection molds, closed with self-colored plastic plugs and riveted.
- In order to close the open-ended pipes; anchor covers made of double-walled self-colored polyethylene plastic material LLDPE (Linear Low Density Polyethylene) are used.
- Eco bird's nest swing consists of 4 side pillars pipes, minimum 2.3 m long 89 mm diameter SDM pipe, 1 pcs 3 m Ø89 mm middle pipe and 1 pcs bird nest swing seat.
- The circle around the bird nest swing seating surface will be manufactured from Ø 42 SDM pipe in accordance with the appearance in the technical drawing.
- Hatching knitting will be done inside this circle.
- It will be connected to the carrier horizontal pipe with rope and connection devices.
- The seating surface knitted from rope or plastic materials should have a tight knitting system so that it is protected against hand and foot jamming of small children and babies.
- The connection of the ropes is made in such a way that they are also mounted with the help of bolts and terminal blocks.
- The chain channels through which the chain must pass are manufactured ready to use on the product.
- The solid swing chains are at least 6 mm thick, 25 micron hot-dip galvanized coated.
- The chains are connected in a double row on the polyethylene protected seat.
- The chains are connected by chain locks to the bearing wedges, which are welded together on the swing carrier.
- In order to prevent the chain locks from being easily removed, the bolt is manufactured with an allen head and galvanized coated for corrosion resistance.
- The length of the main chain is 175 cm long, and a 6 mm caliber dipped chain is used.
- Double Swing chains are manufactured in such a way as to prevent finger jamming of small children and babies.



Dimensions	Side Pipe Length	255 cm
	Horizontal Pipe Length	315 cm
	Swing Seat Diameter	Ø 90
	Minimum Swing Seat Weight	14 kg
	Chain Length	175 cm
	Chain Thickness	6 mm