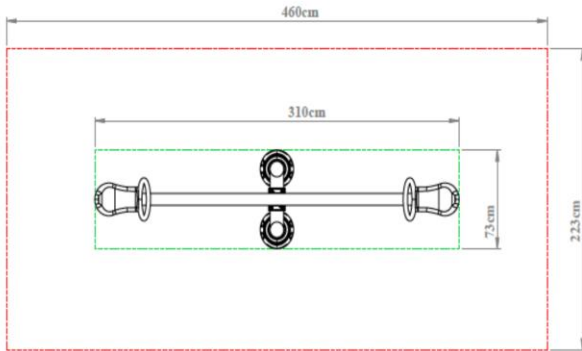
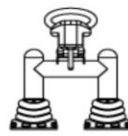
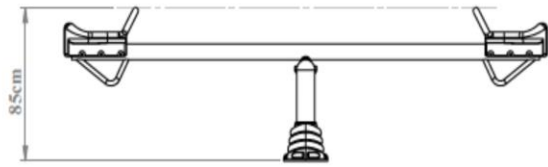


PC-34

Single Seesaw

- The single seesaw is designed in such a way that the maximum free fall height is 1250 mm.
- When measured in the balance position, the ground clearance of the seat does not exceed 700 mm.
- The angle of the product in the horizontal plane with the floor is no more than 20°.
- Seesaw foot pipes are manufactured with a diameter of 114 mm±5mm and a height of at least 60cm±10cm.
- The main pipe is manufactured with a diameter of 88.9mm±5mm and a length of at least 300cm±10cm pipe.
- The middle pipe is manufactured with a diameter of 114 mm±5mm and a height of at least 60cm±10cm.
- The bottom pipe is manufactured with a diameter of Ø27mm±10mm and a length of at least 40±10mm.
- The mouth parts of the pipe components used in the seesaw are closed with caps manufactured by injection method.
- At the lower point of the seesaw seat, pipes are welded that can absorb impact to ensure a smooth collision with the ground during use.
- Seesaw movement is provided by a special bearing system.
- All metal parts are painted with electrostatic powder paint.
- The Seat is made of self-colored polyethylene plastic material weighing at least 3 kg by LLDPE (Linear Low Density Polyethylene) blowing method.
- The seesaw seat is designed in a form that prevents the user from sliding backwards.
- There are handle parts on the Front seat where the user can get support.
- The handles are not mounted later.



Dimensions	Seesaw Length	310 cm
	Seesaw Height	85 cm
	Raw material	LLDPE