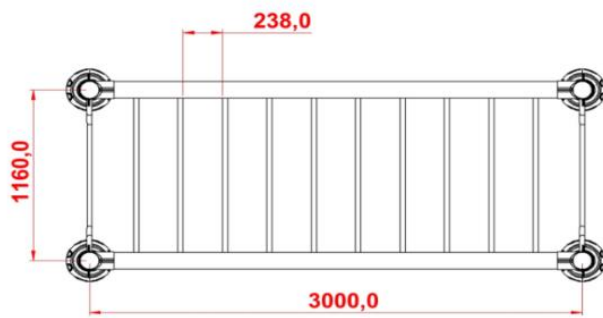
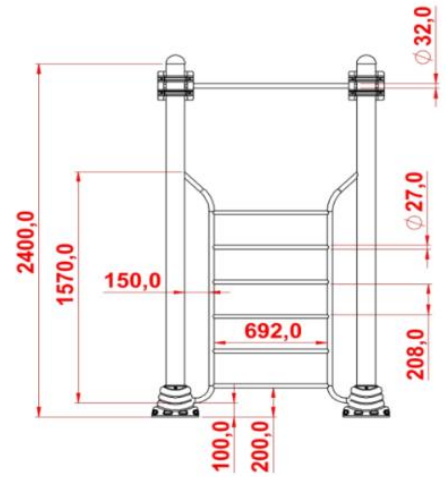
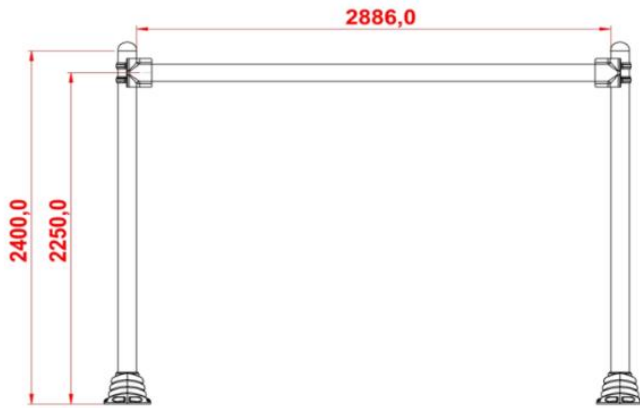


PC-51

Tarzan Climbing

- The cutting points of the horizontal and vertical pipes from the SDM pipe with a diameter of 114 mm are connected to each other with doetail metal clamps with a minimum wall thickness of 3 mm to form a right angle.
- The open parts of the Ø 114 mm diameter SDM pipes are detailed to prevent rusting caused by water and moisture, shaped with hemispherical injection molds, sealed with self-colored plastic plugs and riveted.
- Tarzan climbing is a step section by using 32 mm diameter pipes between 4 pcs side pillar and a minimum of 2.3 m 114 mm pipes.
- In the upper part where the platform will be reached, 10 middle pipes from 32 mm pipes are welded between 2 pipes with a length of minimum 3 m and a diameter of 114 mm, and middle apparatus is manufactured.
- After the clamp connection is made, there are no protrusions or sharp corners that may cause injury anywhere.
- The parts are painted by baking with polyester-based electrostatic powder coating.



Dimensions	Side Pipe Length	230 cm
	Middle Climbing Length	300 cm
	Middle Climbing Pipe Thickness	32 mm
	Side Climbing Pipe Thickness	32 mm