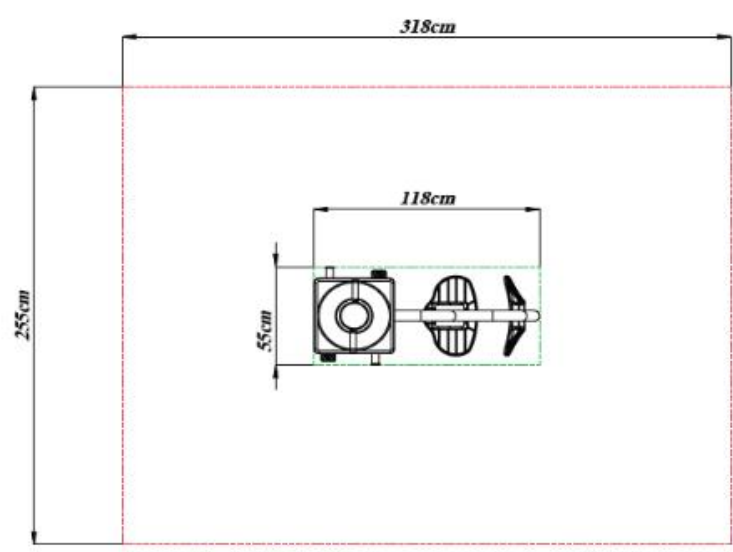
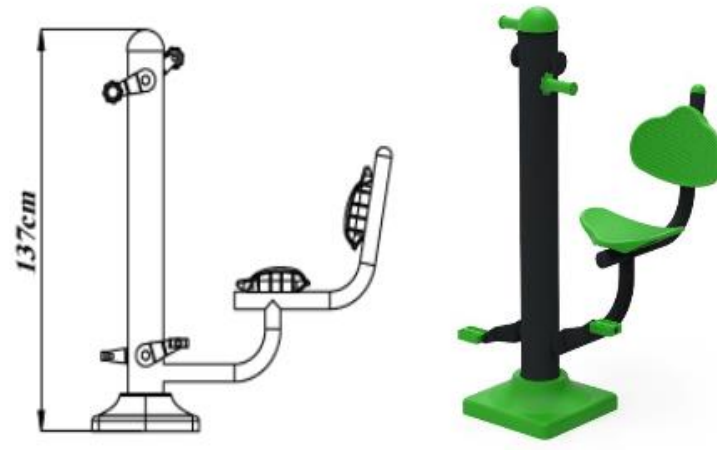


PD-03

Hand Foot Bike

- The internal carrier pipes are at least \varnothing 139 mm min. it is manufactured from a pipe with a length of 1370 mm and a wall thickness of 2.5-3 mm.
- The moving parts connected to the main body are manufactured with a wall thickness of at least \varnothing 60 mm and 2.5-3 mm and in one piece with a special twist.
- The upper part of the main carrier body is closed with a pipe cover made of polyethylene material by injection method.
- The main body flashes are manufactured by laser cutting from ST37 sheet with a thickness of 8 mm and a size of 280x280 mm and 4 pieces of flag sheet are welded in order to increase the flange strength.
- The anchor covers, which are \varnothing 139 mm in size in accordance with the design so that they fully grasp the carrier pipes, are used to close the open-ended pipes in fitness products.
- Anchor covers are manufactured from polyethylene plastic material by LLDPE (Linear Low Density Polyethylene) injection method.
- It is resistant to UV light and suitable for the user.
- The unit is manufactured as a double wall and its installation is provided with a screwing system.
- Seats, backrests and hand-holding parts are made of self-colored polyethylene material.
- The movable assembly of the upper bicycle pedal is fixed with a tapered clamping bearing.
- The upper bicycle pedals are manufactured with two pieces of injection polyethylene material and the movable part with bearings.
- The Open Handles are manufactured by LLDPE (Linear Low Density Polyethylene) injection method from polyethylene plastic material in such a way that they can be held by hand and fit tightly to the 33 mm pipe.



Dimensions	Width	55 cm
	Length	118 cm
	Height	137 cm