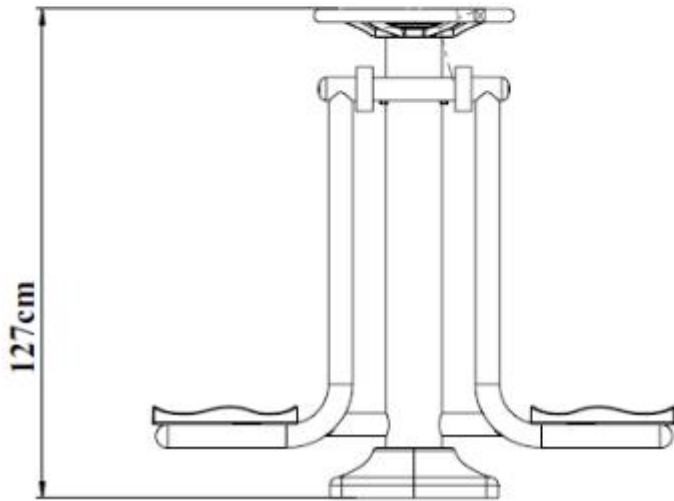
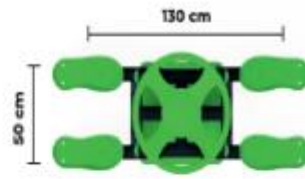
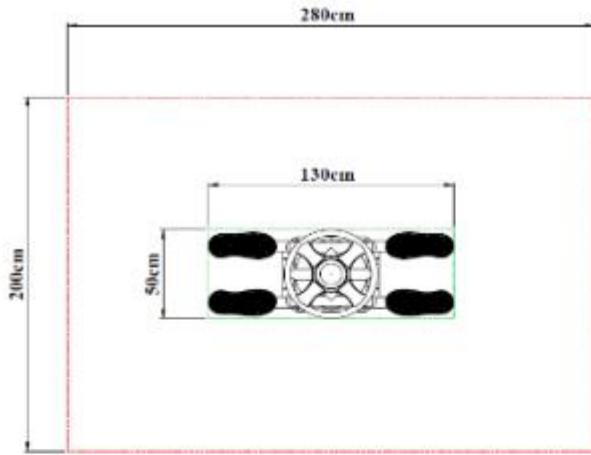


## PF-01

## Leg Streching Equipment

- The load-bearing pipes are at least Ø 139 mm and 2.5-3 mm wall thickness it is manufactured from min 1270 mm length pipe.
- Anchor plugs with a diameter of Ø139 mm are used to close open-ended pipes in fitness products.
- Anchor caps are produced from polyethylene plastic material with LLDPE (Linear Low Density Polyethylene) injection method.
- It is resistant to UV rays and is designed not to harm the user.
- A circularly bent handle made of Ø 33 mm 2.5-3 mm thick pipe is mounted on the main body so that the user can get support with his hands while working.
- The moving parts connected to the main body are manufactured with a minimum Ø 60 mm and a wall thickness of 2.5-3 mm.
- In order to connect the movable joints on the main body; The pipe with Ø 60 mm 2,5-3 mm wall thickness is fixed by welding as a single piece by drilling holes on the 2 surfaces of the upper part of the Ø 139 mm main body in order to increase the strength.
- The third hand-holding zone is made of ergonomically designed polyethylene material or 34x3 mm special twisted pipe so that two people can use it from a single center.
- 2 pcs 6006 2RS Bearings are used in the three Movable joint hubs.
- Moving parts are manufactured by bending the pipe with Ø 60 mm and 3 mm thickness in accordance with it.
- In order to eliminate the risk of the main acting components hitting the body, two Ø 60 mm diameter and 40 mm high rubber stopping wedges are placed on the body pipe.
- In the foot pressing section, there are 4 foot pressing pedals made of fiber-blended polyethylene material by injection printing method.
- In order not to slip the foot, it will be patterned on top, the footrest is fixed to 5 mm thick sheet metal.
- The main body flashes are manufactured by laser cutting from ST37 sheet with a thickness of 8 mm and a size of 280x280 mm and are reinforced with flag sheets with a thickness of 5 mm in order to increase their strength.



<b>Dimensions</b>	Width	50 cm
	Length	130 cm
	Height	127 cm