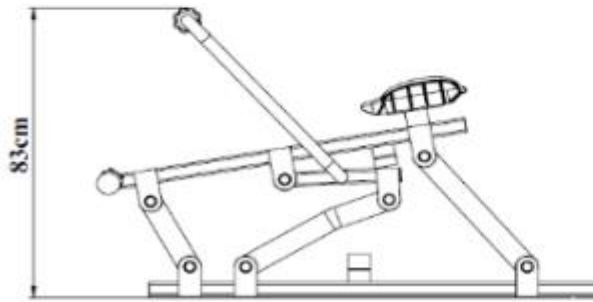
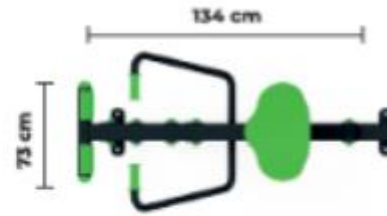
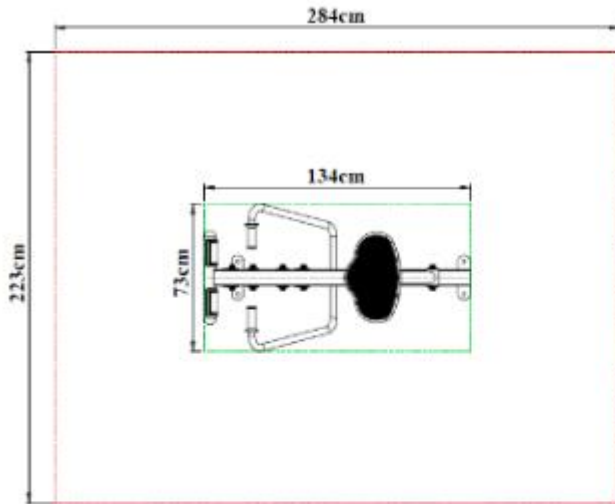


PF-07 Rowing Equipment

- The main body is made of box profile material with a size of 40 * 80 mm and a thickness of 2.5-3 mm.
- The moving parts connected to the main body are manufactured from industrial pipes with a thickness of Ø 60 mm 2.5-3 mm.
- The stops of the moving parts are made of rubber material with a height of Ø 60 mm 40 mm.
- 14 pcs 6205 2rs bearings are used in the joint bearings of the moving parts and the bolts are closed with polyethylene bolt hiding covers.
- The handles are produced in metal sizes of Ø 33 mm 2,5-3 mm and plastic handles that fit into their place are fitted.
- The seat plastics will be made of self-colored polyethylene material.
- The footrest is made of Ø 42 mm 2,5-3 mm thick metal material.



Dimensions	Width	73 cm
	Length	134 cm
	Height	83 cm