
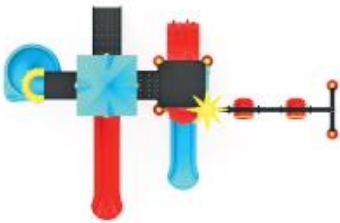




PT-66



Age range
3+




Number of Users
8




Free Fall Height
1,5m




Height
4,22cm



Assemble Area
42m²



Sitting Area
5,16cm*8,04cm

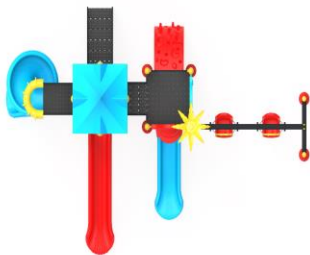
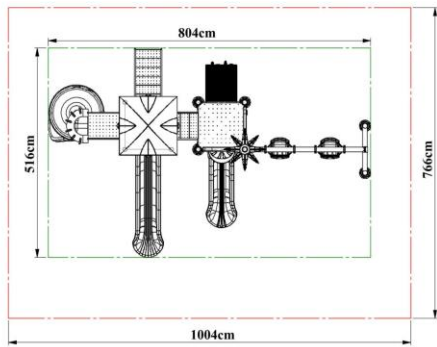
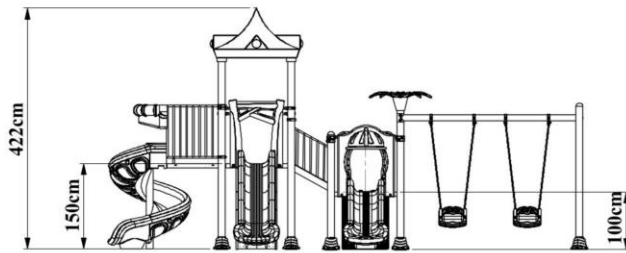


Safety Area
7,66cm*10,04cm

PRODUCT TREE

IDEAL ROOF	1	Piece
ATTACHED CLASSICAL SWING	1	Piece
H:100 STRAIGHT SLIDE	1	Piece
H:150 STRAIGHT SLIDE	1	Piece
H:150 SPIRAL SLIDE	1	Piece
SPIRAL SLIDE FROM METAL RAILING	1	Set
HAT FIGURED SLIDE ENTRY	1	Piece
WOODEN FIGURED SLIDE ENTRY	1	Piece
SPIRAL SLIDE ENTRY	1	Piece
WINDOW FIGURED PANEL	1	Piece
PALM TREE	1	Piece
ROCK CLIMBING	1	Piece
116 x 116 SQUARE PLATFORM	2	Piece
60 x 90 SPIRAL SLIDE PLATFORM	1	Piece
H:150 STAIRS FROM GROUND TO TOWER	1	Piece
H:50 STAIRS FROM TOWER TO TOWER	1	Piece
Ø114 HAT PLUG	3	Piece
Ø27 PANEL INNER PIPE	3	Piece
SCREW HIDING	6	Piece
ANCHORAGE COVER	10	Set
PLASTIC CLAMP WITH STRAIGHT CONNECTION PART	20	Piece
H:50 STAIR RAILS FROM TOWER TO TOWER	1	Set
H:150 STAIR RAILS FROM GROUND TO TOWER	1	Set
335 CM TOWER PIPE	4	Piece
225 CM TOWER PIPE	3	Piece
250 CM TOWER PIPE	1	Piece
ROCK CLIMBING FROM METAL RAILING	1	Set
180 CM SPIRAL INNER PIPE	1	Piece

TECHNICAL DRAWING



Load-bearing Construction

- Tower, slide, roof, ladder, railing, etc. The main columns that will carry the playgroup elements are manufactured from industrial pipes with a diameter of 114 mm and a wall thickness of min. 2 mm.
- The open top parts of the 114 mm diameter industrial pipes are closed and riveted with self-colored plastic pipe plugs shaped with injection molds in the form of a hemisphere with a wall thickness of 4-6 mm, detailed to prevent corrosion caused by water and moisture.

Polyethylene Products

- The raw material of polyethylene materials to be used in playgrounds is low density linear polyethylene.
- Original raw materials that do not contain any chemicals that may harm children's health and that have EN 1176-1.3 certificate are used.
- In order to prevent electrification, an anti-static agent is added to the polyethylene.
- There is no zinc in the paints used in the polyethylene raw material and the light sensitivity is between 6-8 scales.
- In polyethylene materials, the thickness is at least 5 mm in areas where there is friction and pressure.

Electrostatic Paint

- After all metal parts are manufactured, they are immersed in an iron phosphate bath with 1% concentration at 50 degrees for 15 minutes after rinsing in the dust and degreasing bath with 5% concentration at 70 degrees for 10 minutes.
- Afterward, it is rinsed with clean water again and drying processes are carried out.
- Before the static paint process, sanding is applied in a way to prevent rusting, which may be caused by dust and particles that can settle on the metal parts as a result of air circulation during the drying phase during the resting period.
- After this stage, the material is covered with polyester-based powder paint with a thickness of 60-80 microns, which prevents heating (color fading) in the sun, and then it is heated in an oven at a temperature of at least 200-220 degrees for 10 minutes, and the painting process is completed.

Pipes

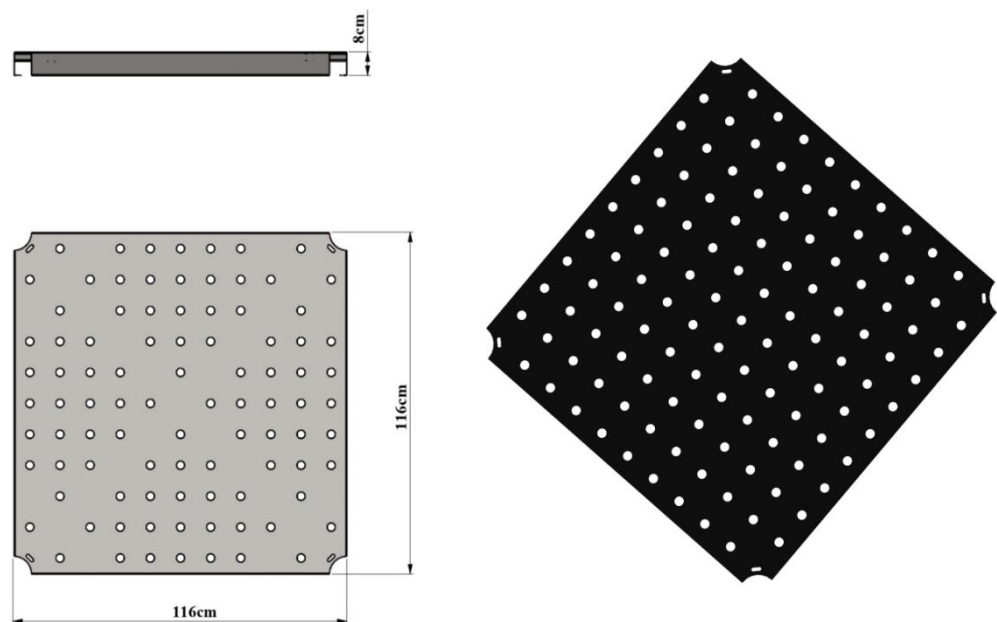
- Tower pipes; It is manufactured from SDM pipe with a height of 225 cm, 250 cm, 335 cm a diameter of 114 mm, and a wall thickness of min. 2 mm.
- The tower pipes are produced in one piece and perfectly, from horizontal and vertical pipes in length cut according to the determined heights, with a minimum of 2250 mm.
- Pipes with seam marks on the surface are not used in production.
- Adding the length of the pipes, welding, etc. is not extended by the procedure.
- In order to prevent water, moisture, and foreign matter from entering the upper parts of these pipes, colored plastic pipe plugs produced by the injection method are fixed and closed to the pipes with a riveting system.
- The connection points of the pipes with the concrete floor are joined by the sheet metal flange welding method with the size of 20*20*6 mm.
- Connection of the Tower Pipes with the platform the half-moon-shaped ears welded according to the platform size, produced from 6 mm wall thickness, are welded to the pipes and these ears are connected to the platform with the screwing system by means of galvanized bolts and nuts.
- A polyester-based electrostatic powder paint coating process is performed and it is baked in a 200°C oven for 20 minutes.
- Tower pipes are closed with anchor caps produced by injection after assembly.
- 100 cm high, Ø27 elektrostatic paint panel inner pipe is used.



Dimensions	Diameter	Ø 114 mm
	Wall Thickness	Min. 2 mm

116x116 Square Platform

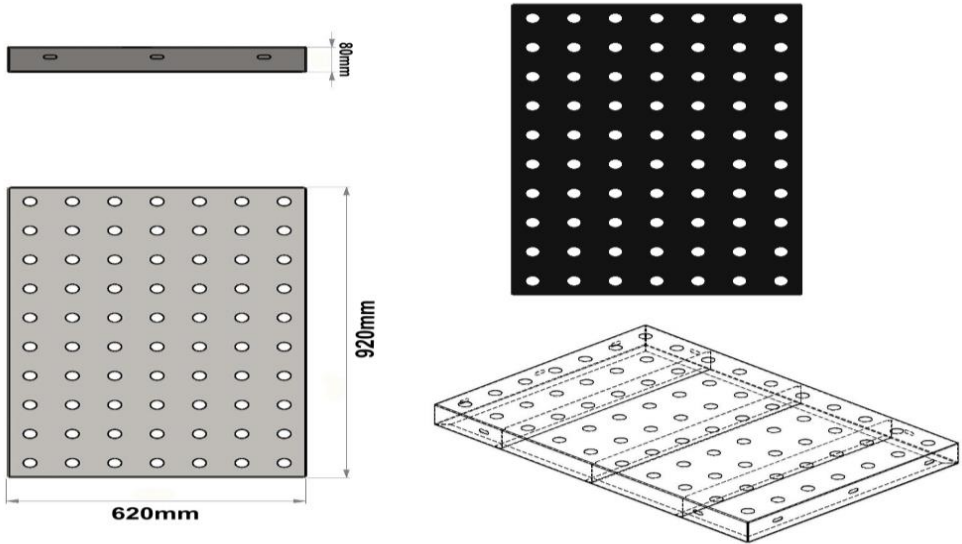
- The platform is manufactured from perforated sheet metal with a minimum size of 116 cm x 116 cm x 8 cm and a minimum wall thickness of 1.5 mm-2 mm.
- Flat designed surface; It is designed to prevent slipping and not allow water retention.
- In the middle of the platform, support sheets are welded to the lower part in order to prevent the sheet from flexing.
- The corners of the platform are manufactured in the form of a quarter circle, enclosing the 114 mm pipe.
- Before the coating process, the sheets are washed with special chemicals, cleared of oil and dirt that will prevent the coating on them, and then coated with the priming method.
- After the priming process, the upper surface of the platform is hot-dip method with an anti-static material mixture with a hardness of -60 ± 5 share A, a density of 1 gr/cm³, minimum kgf/cm² breaking strength, 650-700% breaking elongation, and 100 m³ (max) abrasion. PVC (Plastisol) coating is made.
- PVC thickness is produced at a minimum of 2 mm at each point.



Dimensions	Platform Dimensions	116*116 cm
	Sheet Thickness	2 mm - 8 cm
Features	Plastisol Coated Platform	

60x90 Spiral Extension Platform

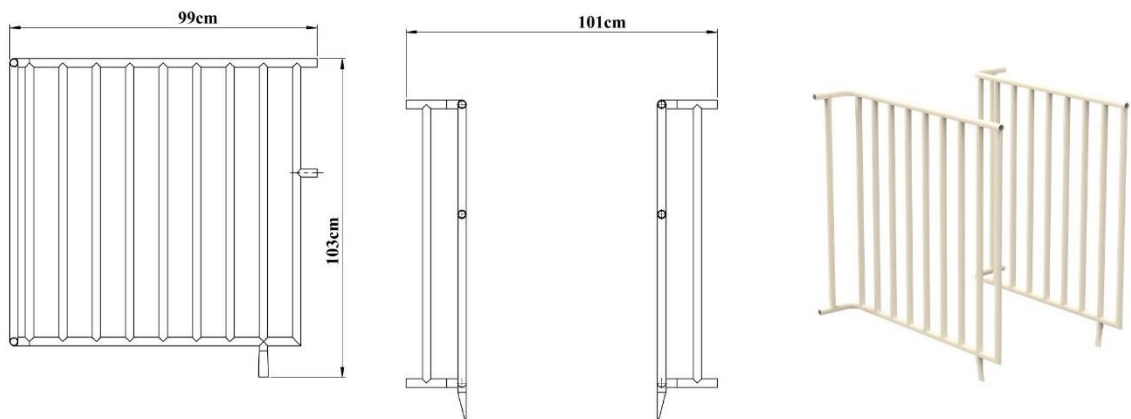
- The platform is manufactured from perforated sheet metal with a minimum dimension of 60 cm x 90 cm x 8 cm and a minimum wall thickness of 1.5 mm-2 mm.
- Flat designed surface; It is designed to prevent slipping and not allow water retention.
- In the middle of the platform, support sheets are welded to the lower part in order to prevent the sheet from flexing.
- The corners of the platform are manufactured in the form of a quarter circle, enclosing the 114 mm pipe.
- Before the coating process, the sheets are washed with special chemicals, cleared of oil and dirt that will prevent the coating on them, and then coated with the priming method.
- After the priming process, the upper surface of the platform is hot-dip method with an anti-static material mixture with a hardness of -60 ± 5 share A, a density of 1 gr/cm^3 , minimum kgf/cm^2 breaking strength, 650-700% breaking elongation, and 100 m^3 (max) abrasion. PVC (Plastisol) coating is made.
- PVC thickness is produced at a minimum of 2 mm at each point.
- The platform is attached to the square platform by screwing and its assembly is provided.



Dimensions	Platform Dimensions	60*90 cm
	Sheet Thickness	2 mm - 8 cm
Features	Plastisol Coated Platform	

Spiral Slide Metal Railing

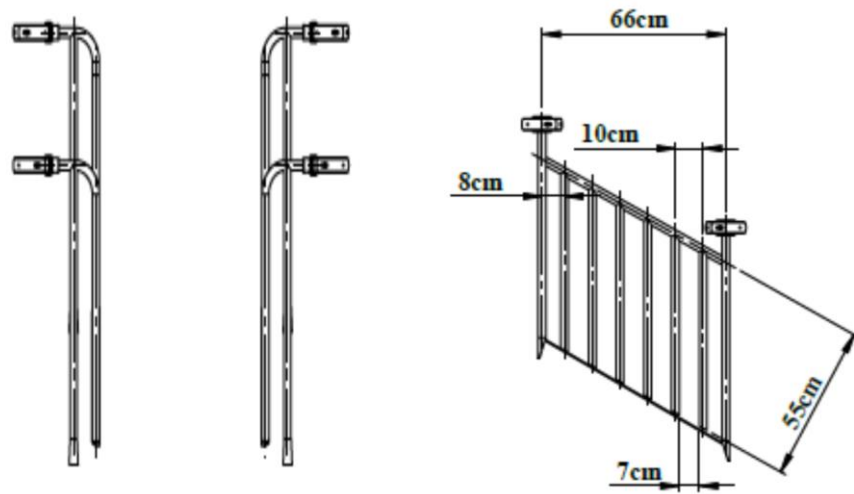
- The edges of the stair railing are produced from a maximum of $\text{Ø } 27$ mm pipe, and the railings are produced from a minimum of $\text{Ø } 21$ mm pipes.
- Stair railings are painted with polyester-based electrostatic powder paint.
- The slide entrance railing is produced as a single piece of metal.
- The slide entry guardrail is connected to the carrier pole with the help of polyamide clamps with $\text{Ø } 27$ mm pipes from the top.
- It is mounted on the platform with the help of galvanized bolts and nuts from the bottom.



Dimensions	Outer Frame Tube	$\text{Ø } 27$ mm
	Frame Inner Tube	$\text{Ø } 21$ mm
	Minimum Distance Between Railings	88 mm

H:50 Tower To Tower Stair Rail

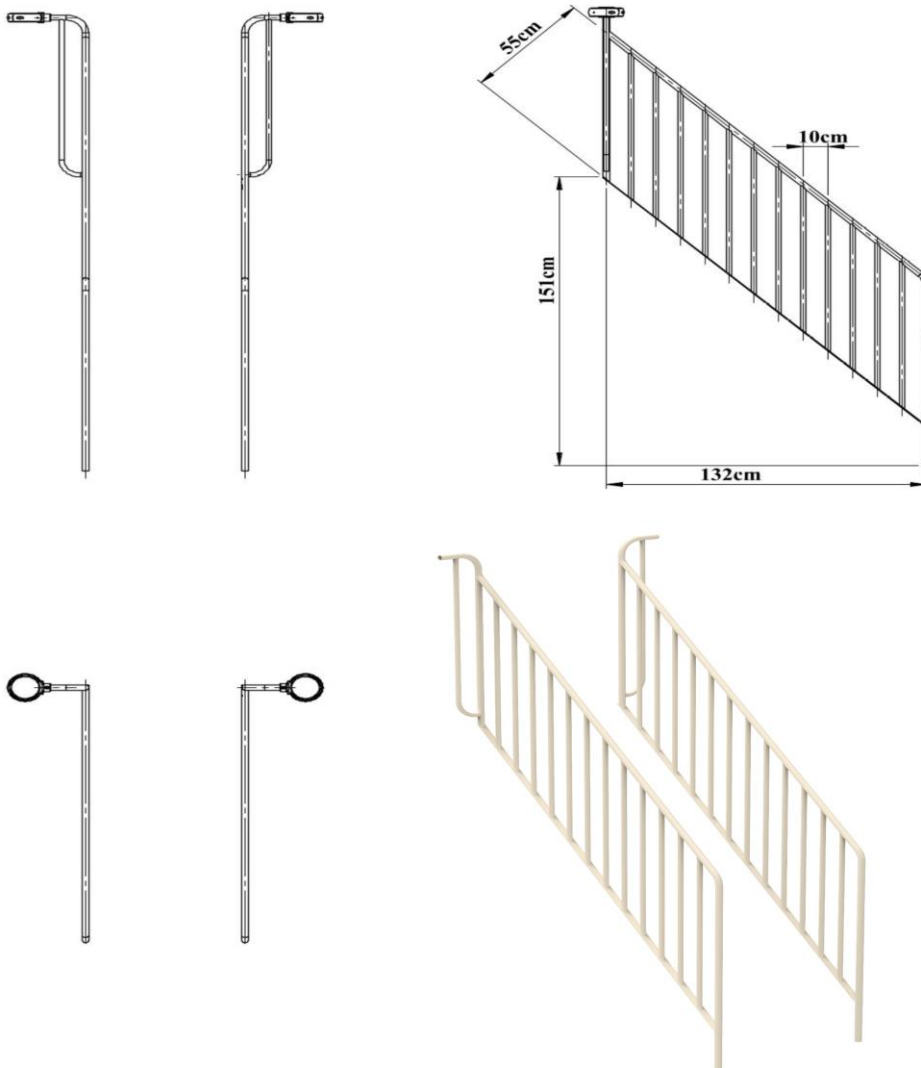
- The edges of the stair railing are made of a maximum of $\text{Ø } 27 \text{ mm}$ pipes, and the railings are made of a minimum of $\text{Ø } 21 \text{ mm}$ pipes.
- The distance between the handrails on the stair railing from the platform to the platform is a minimum of 88 mm.
- Stair railings are painted with polyester-based electrostatic powder paint.



Dimensions	Outer Frame Tube	$\text{Ø } 27 \text{ mm}$
	Frame Inner Tube	$\text{Ø } 21 \text{ mm}$
	Minimum Distance Between Railings	88 mm

H: 150 Cm Ground to Tower Stair Railing

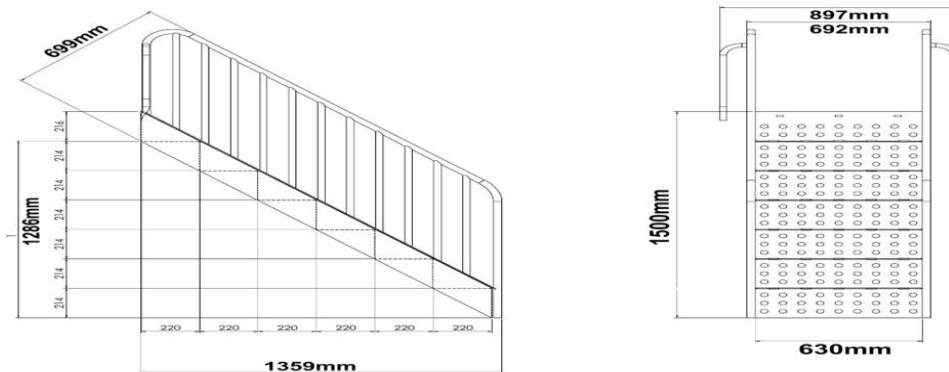
- The edges of the stair railing are made of a maximum of $\varnothing 27$ mm pipes, and the railings are made of a minimum of $\varnothing 21$ mm pipes.
- The distance between the handrails on the stair railing from the platform to the platform is a minimum of 89 mm.
- Stair railings are painted with polyester-based electrostatic powder paint.



Dimensions	Outer Frame Tube	$\varnothing 27$ mm
	Frame Inner Tube	$\varnothing 21$ mm
	Minimum Distance Between Railings	89 mm

H: 150 Cm Ground to Tower Ladder

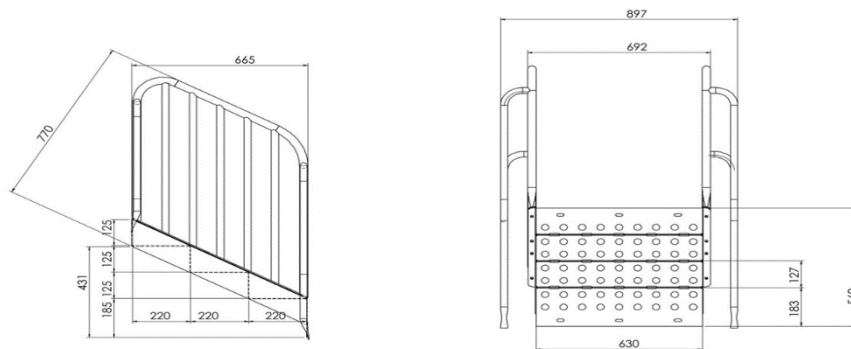
- Ladders are manufactured in one piece with a minimum of 7 steps, with a height difference of 150 cm from the ground to the platform.
- The step height of the stairs is produced with a minimum of 130 mm and a maximum of 200 mm.
- The steps are manufactured from dkp sheet with a minimum wall thickness of 1.5 mm - 2 mm.
- There will be no sharp or sharp edges, corners, or points on the stairs, and no shapes that may cause injury will be used in any way whatsoever.
- Stair treads are mixed -60 ± 5 share A hardness, 1 gr/cm^3 density, minimum kgf/cm^2 breaking strength, 650-700% breaking elongation and 100 m^3 (max) wear feature, anti-static material mixed with PVC (Plastisol) method by hot dipping method.) will be covered. PVC thickness is at least 2 mm at each point.



Dimensions	Platform Height	150 cm
	Sheet Thickness	2 mm-1,5 mm
Features	Plastic Coated Stairs + Metal Railing	

H:50 Tower To Tower Ladder

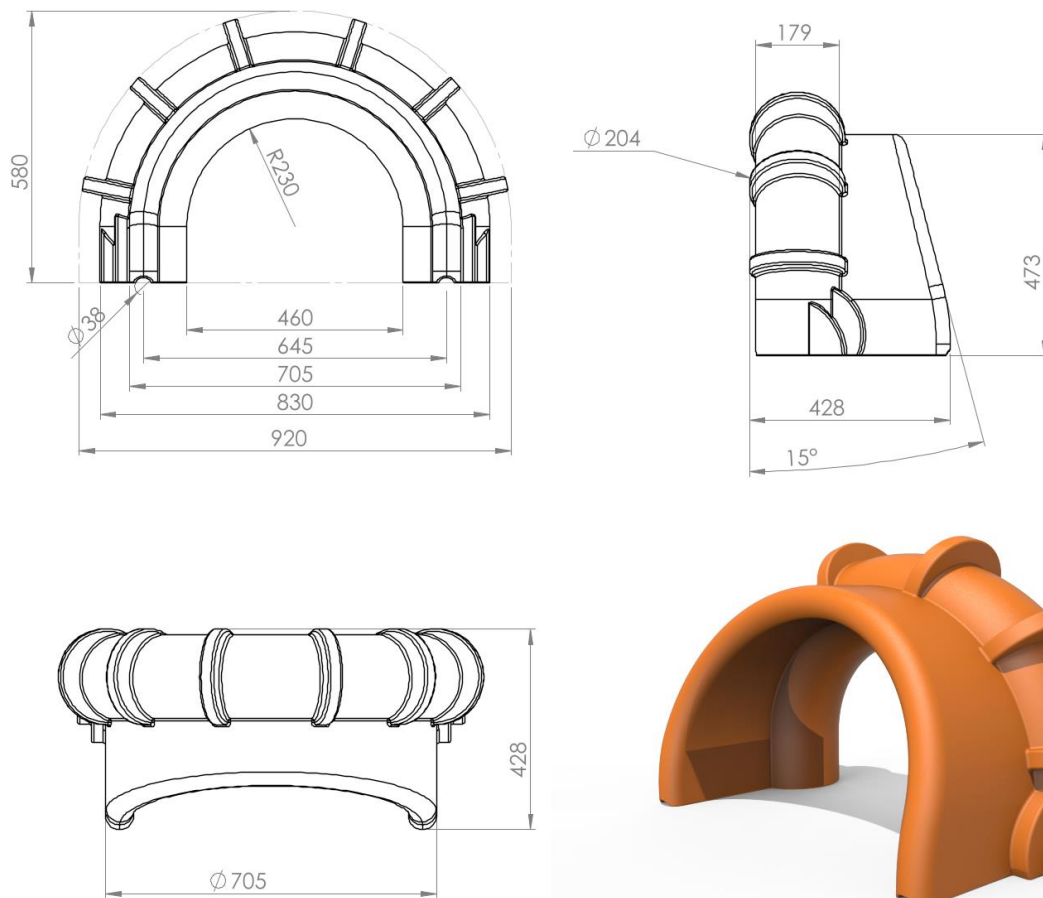
- Ladders are manufactured in one piece with a minimum of 3 steps, with a height difference of 50 cm from the tower to the platform.
- The step height of the stairs is produced with a minimum of 130 mm and a maximum of 200 mm.
- The steps are manufactured from dkp sheet with a minimum wall thickness of 1.5 mm - 2 mm.
- There will be no sharp or sharp edges, corners, or points on the stairs, and no shapes that may cause injury will be used in any way whatsoever.
- Stair treads are mixed -60 ± 5 share A hardness, 1 gr/cm^3 density, minimum kgf/cm^2 breaking strength, 650-700% breaking elongation and 100 m^3 (max) wear feature, anti-static material mixed with PVC (Plastisol) method by hot dipping method.) will be covered. PVC thickness is at least 2 mm at each point.



Dimensions	Platform Height	50 cm
	Sheet Thickness	2 mm-1,5 mm
Features	Plastic Coated Stairs + Metal Railing	

Spiral Slide Entrance

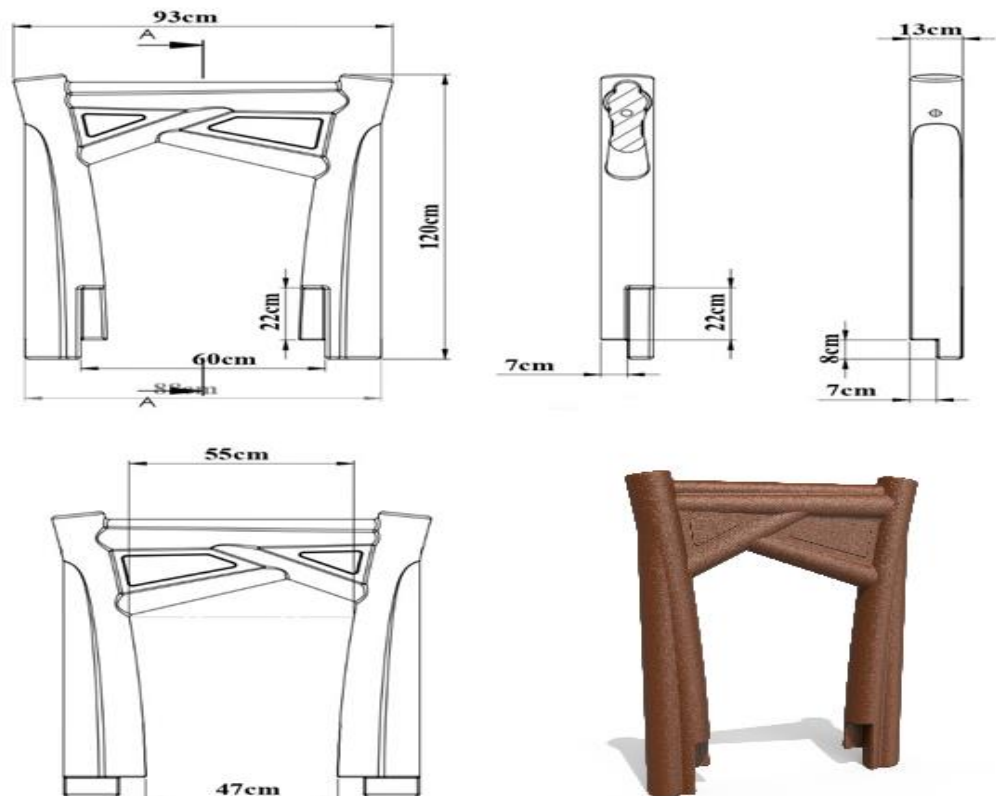
- It is manufactured from self-colored polyethylene plastic material as a one-piece and double-walled by rotation molding method with low density (LLDPE Linear Low-Density Polyethylene) designed to prevent falling into the slide entrances.
- In order for the product surface to be smooth; It is produced by sandblasting the surface of the mold made of aluminum or its equivalent material and undergoing a Teflon coating process for surface brightness.



Dimensions	Length	58 cm
	Width	92 cm
	Input Width	46 cm
Features	Min. Weight	8 kg
	Raw material	LLDPE

Wooden Figured Straight Slide Entry

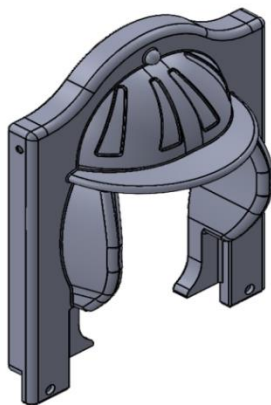
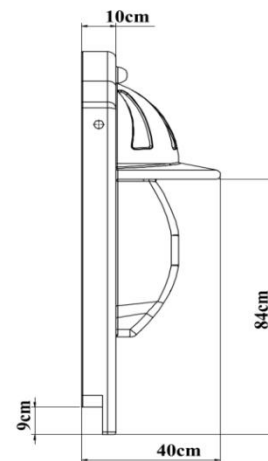
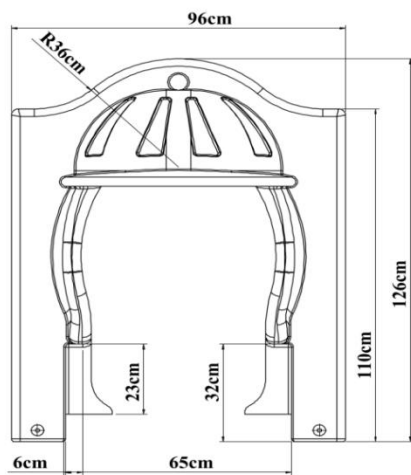
- It is manufactured from self-colored polyethylene plastic material as a one-piece and double-walled by rotation molding method with low density (LLDPE Linear Low-Density Polyethylene) designed to prevent falling into the slide entrances.
- Plastic clamps and vertical mouth connection apparatuses are attached to the $\text{Ø } 27 \text{ mm}$ inner pipe ends attached to the slides, and the $\text{Ø } 114 \text{ mm}$ tower is fixed to the pipes and screwed from the parts of the panels that sit on the platform.
- In order for the product surface to be smooth; It is produced by sandblasting the surface of the mold made of aluminum or its equivalent material and undergoing a Teflon coating process for surface brightness.



Dimensions	Length	120 cm
	Width	93cm
	Input Width	55 cm
Features	Min.Weight	8,5 kg
	Raw material	LLDPE

Flat Slide Entrance With Hat

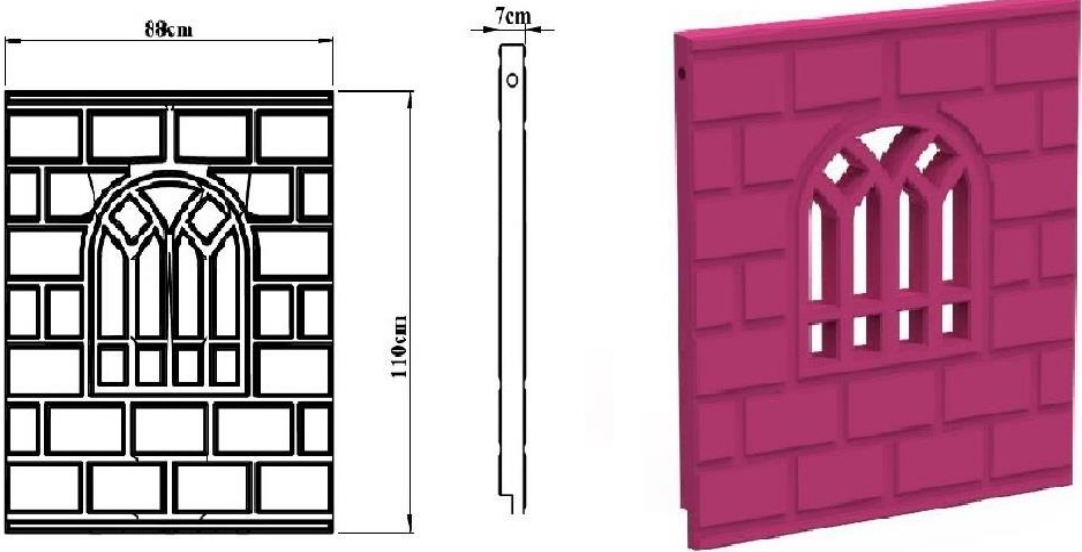
- It is manufactured from self-colored polyethylene plastic material as a one-piece and double-walled by rotation molding method with low density (LLDPE Linear Low-Density Polyethylene) designed to prevent falling into the slide entrances.
- Plastic clamps and vertical mouth connection apparatuses are attached to the $\text{Ø } 27 \text{ mm}$ inner pipe ends attached to the slides, and the $\text{Ø } 114 \text{ mm}$ tower is fixed to the pipes and screwed from the parts of the panels that sit on the platform.
- In order for the product surface to be smooth; It is produced by sandblasting the surface of the mold made of aluminum or its equivalent material and undergoing a Teflon coating process for surface brightness.



Dimensions	Height	126 cm
	Width	96 cm
	Panel thickness	40 cm
Features	Min Weight	8 kg
	Raw material	LLDPE

Window Panel

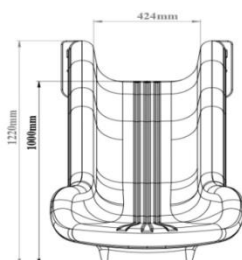
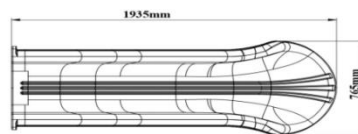
- Window panel are manufactured from self-colored polyethylene LLDPE (Linear Low-Density Polyethylene) material as double-walled by rotation molding method.
- The window panel are fixed to the main construction with the help of a polyamide-based clamp system with pipes of 88x110 cm dimensions, Ø 27 mm diameter from the top.
- The dyestuffs used in coloring are suitable for child health.



Dimensions	Height	110 cm
	Width	88 cm
Features	Min Weight	8 kg
	Raw material	LLDPE

H:100 Straight Slide

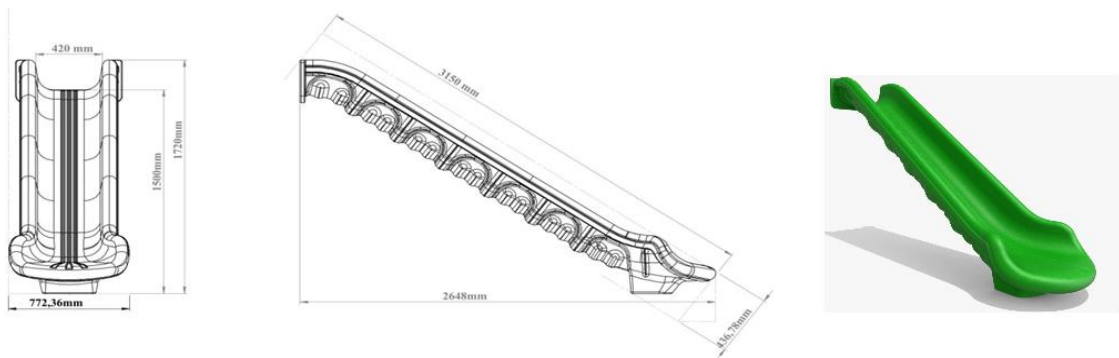
- LLDPE (Linear Low-Density Polyethylene) made of self-colored polyethylene plastic material, which is designed to slide from a 100 cm high platform, has a minimum length of 2 meters, is produced in a single piece and double-walled form with a minimum weight of 22 kg.
- It is manufactured in such a way that the inner height dimension of the side protective corners of the slide is 17 cm, the width of the sliding surface is 40 cm, and the slope is 25-30 degrees.
- The slide is fixed to the ground with a metal apparatus from the anchorage point at the bottom of the slide's exit point.
- In order for the product surface to be smooth; Sandblasting is applied to the surface of the mold made of aluminum or its equivalent material, and it is produced by passing the Teflon coating process for surface brightness.
- A flat slide entrance panel is used to ensure safety at the slide entrance.
- LLDPE (Linear Low-Density Polyethylene) from self-colored polyethylene plastic material is produced in one piece by rotation molding method.
- Plastic clamps and vertical mouth connection apparatuses are attached to the $\text{Ø } 27$ mm inner pipe ends attached to the inside of the polyethylene flat slide entrance panels and fixed to the $\text{Ø } 114$ mm tower pipes.



Dimensions	Platform Height	100 cm
	Side Wall Length	17 cm
	Slide Inner Width	40 cm
	Slide Length	210 cm
Features	Raw material	LLDPE
	Min. Slide Weight	22 kg

H: 150 Straight Slide

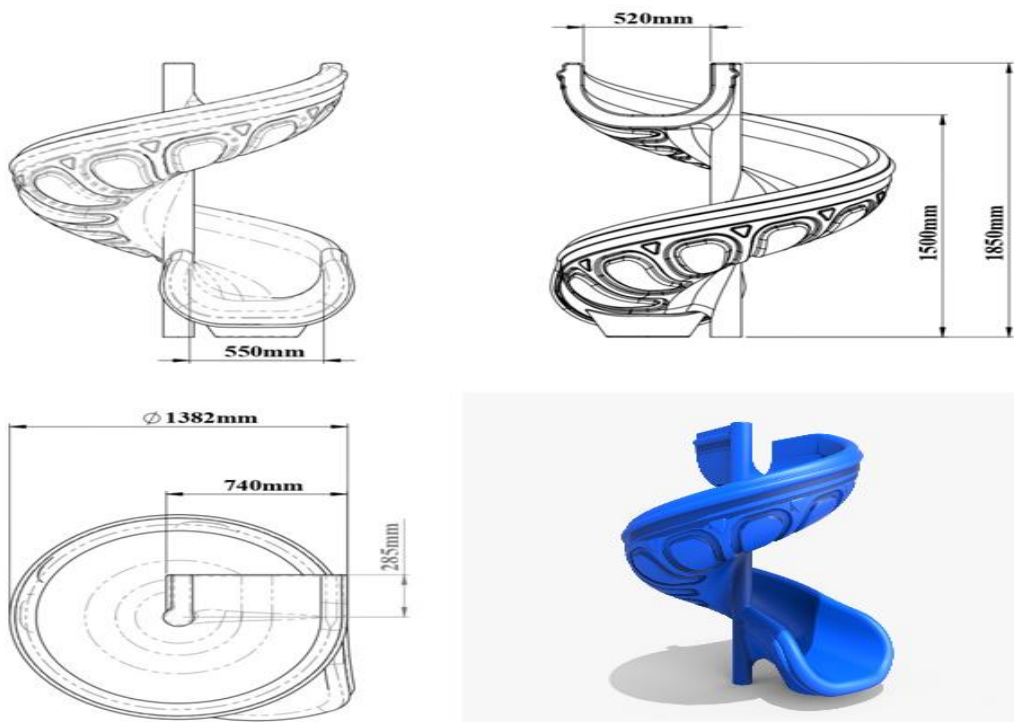
- LLDPE (Linear Low-Density Polyethylene) made of self-colored polyethylene plastic material, which is designed to slide from a 150 cm high platform, has a minimum length of 3 meters, is produced in a single piece and double-walled form with a minimum weight of 33 kg.
- It is manufactured in such a way that the inner height dimension of the side protective corners of the slide is 17 cm, the width of the sliding surface is 40 cm, and the slope is 25-30 degrees.
- The slide is fixed to the ground with a metal apparatus from the anchorage point at the bottom of the slide's exit point.
- In order for the product surface to be smooth; Sandblasting is applied to the surface of the mold made of aluminum or its equivalent material, and it is produced by passing the Teflon coating process for surface brightness.
- A flat slide entrance panel is used to ensure safety at the slide entrance.
- LLDPE (Linear Low-Density Polyethylene) from self-colored polyethylene plastic material is produced in one piece by rotation molding method.
- Plastic clamps and vertical mouth connection apparatuses are attached to the $\text{Ø } 27$ mm inner pipe ends attached to the inside of the polyethylene flat slide entrance panels and fixed to the $\text{Ø } 114$ mm tower pipes.



Dimensions	Platform Height	150 cm
	Side Wall Length	17 cm
	Slide Inner Width	40 cm
	Slide Length	315 cm
Features	Raw material	LLDPE
	Min. Slide Weight	33 kg

H:150 Spiral Slide

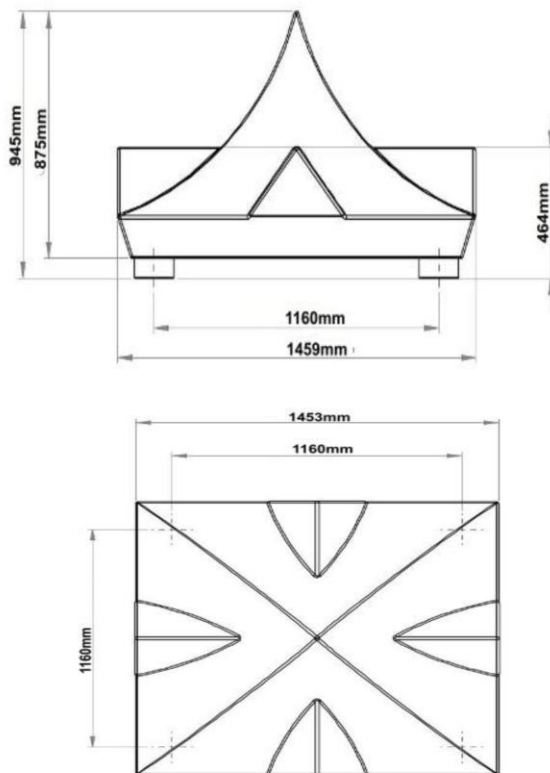
- It is produced from a single piece of polyethylene plastic material with a low-density LLDPE (Linear Low-Density Polyethylene) rotation molding method, which is spirally molded from a 150±10 cm high platform to a minimum Ø89 mm profile pipe in its center, in a self-colored form.
- It is manufactured in such a way that the inside height measure of the side protective corners of the slide is 17 cm, the width of the sliding surface is 40 cm, and the slope is 25-30 degrees.
- In order to ensure safety, metal spiral guardrails are used on both sides of the slide entrance, and a polyethylene entrance barrier with a minimum weight of 8 kg is used on the upper part.
- A 15*15*5 mm diameter flange is welded to the middle part of the slide, and it is fixed to the floor with an SDM pipe with a diameter of 89 mm, a length of 180 cm



Dimensions	Platform Height	150 cm
	Side Wall Length	17 cm
	Slide Inner Width	40 cm
	Slide Length	185cm
Features	Raw material	LLDPE
	min. Slide Weight	38 kg

Ideal Roof

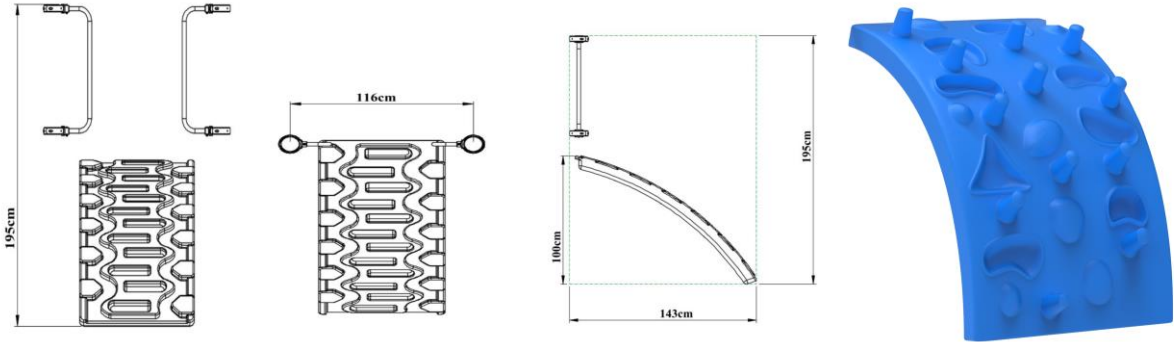
- The ideal roof is manufactured from polyethylene plastic material, LLDPE (Linear Low-Density Polyethylene) with a minimum height of 88,5 cm, by rotation molding method, in two parts as body and upper apparatus, in self-color.
- In accordance with TS EN 1176-1, when measuring on the platform, the height between the platform and the roof is at least 1800 mm.
- The ideal roof is manufactured to be directly connected to the main construction.
- No connecting element is used in between.
- The apparatus in its four corners are mounted with screws.



Dimensions	Depth	148 cm
	Width	148 cm
Features	Min. Ideal Roof Height	88,5 cm
	Min. Ideal Roof Weight	23 kg
	Raw material	LLDPE

Rock Climbing and Metal Railing

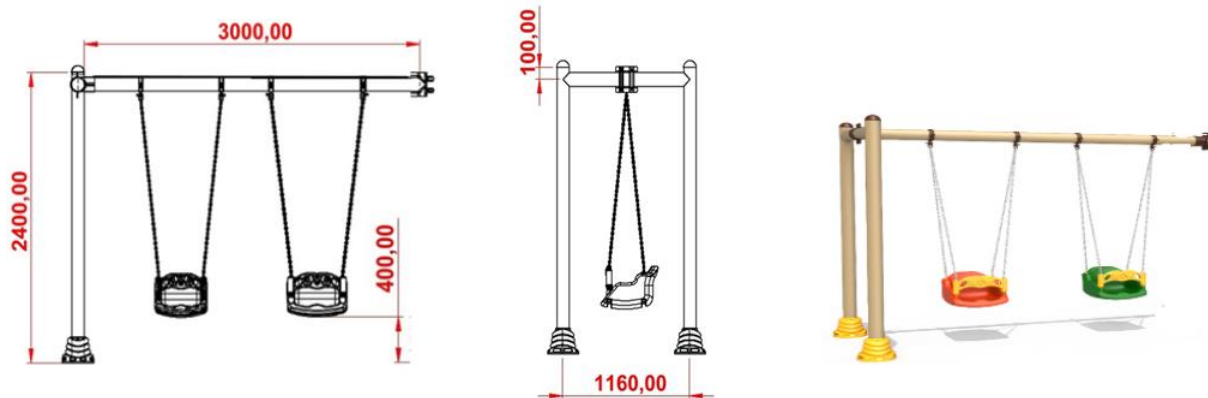
- Rock climbing, is made in aluminium patterns.
- There are hollows on the surface of rock climbing in order to provide function.
- It is designed to ease climbing and helps to improve climbing skills of user group thanks to it's rock shape.
- The product is made of Ø27 pipes.
- In order to make them resistant to corrosion All metal parts used on the product are subjected to polyester-based electrostatic powder paint coating process and are baked in a 200°C oven for 20 minutes.
- Plastic parts are produced from self-colored polyethylene plastic material with LLDPE (Linear Low Density Polyethylene) rotation molding method, with a double wall of 4-6mm thickness.
- Plastic parts are designed to be suitable for indoor and outdoor use, resistant to UV lights and not harming the user.
- It is mounted on the platform with the help of galvanized bolts and nuts from the bottom.



Dimensions	Rock Climbing Height	195 cm
	Rock Climbing Width	116 cm
	Rock Climbing Length	143 cm
Features	Min Rock Climbing Weight	15 kg
	Raw Material	LLDPE

Attached Classical Swing

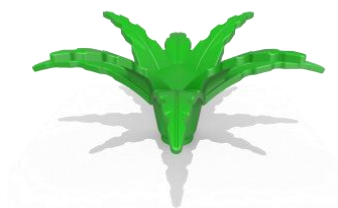
- The cutting points of the horizontal and vertical pipes from the SDM pipe with a diameter of 114 mm are connected to each other with doetail metal clamps with a minimum wall thickness of 3 to form a right angle.
- The open parts of the Ø 114 mm diameter SDM pipes are detailed to prevent rusting caused by water and moisture, shaped with hemispherical injection molds, sealed with self-colored plastic plugs and riveted.
- Double swing frame; 2 pcs. of swing side pillar is formed by welding a 3 m Ø 114 mm (2 pieces of 2, 4 m length and 1 piece of 1 m long Ø114 mm pipe together in an H-letter shape.) and 1 piece of 3 m Ø 114 mm pipe and 2 pieces of protected polyethylene seat products are used.
- This seat is designed in a form that will wrap the user's body and is made of LLDPE (Linear Low Density Polyethylene) self-colored polyethylene plastic material weighing at least 2.5 kg.
- The swing seat railing is manufactured by LLDPE (Linear Low Density Polyethylene) blow molding manufacturing method from self-colored polyethylene plastic material weighing at least 0.5 kg.
- The swing chains are at least 6 mm thickness and coated with galvanized 25 micron hot-dip.
- The chain channels through which the chain must pass are manufactured ready to use on the product.
- The chains are connected by chain locks to the bearing wedges, which are welded together on the swing carrier.
- In order to prevent the chain locks from being easily removed, the bolt is manufactured with an allen head and galvanized coated for corrosion resistance.
- The length of the main chain is 175 cm long, and a 6 mm caliber dipped chain is used.
- Double Swing chains are manufactured in such a way as to prevent finger jamming of small children and babies.
- The distance between the bottom of the polyethylene swing seat and the ground is a maximum of 40 cm.



Dimensions	Side Pipe Length	230 cm
	Horizontal Pipe Length	300 cm
	Swing Seat Width	44 cm
	Swing Seat Length	32 cm
	Swing Seat Height	33 cm
	Minimum Swing Seat Weight	2,5 kg
	Minimum Weight of Swing Railing	0,5 kg
	Chain Length	175 cm
	Chain Thickness	6 mm

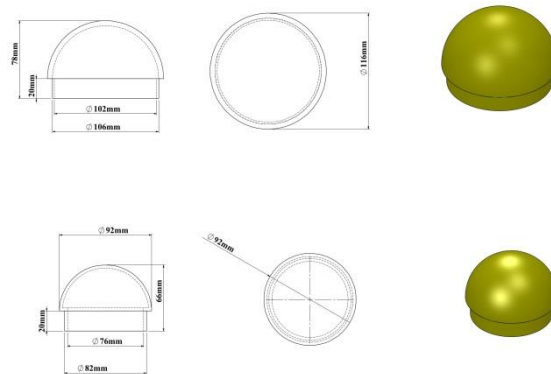
Palm Figure

- The palm figure is used to add visuality to playgroups.
- It is produced from polyethylene material suitable for indoor and outdoor use in accordance with 114 mm pipe.
- It is resistant to UV lights and is designed not to harm the user.
- The palm figure weighs 8 kg.



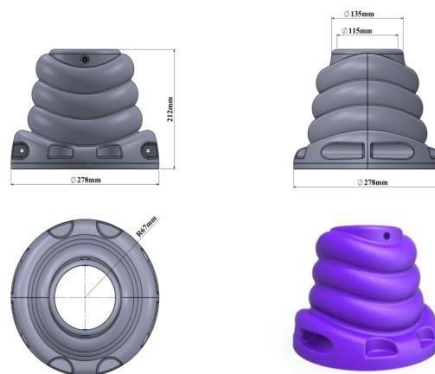
Ø 114 Hat Plug

- The cap plug is used to close open-ended pipes in children's playgroups, seesaws, swings, and other products.
- The cap plug is manufactured from polyethylene material for indoor and outdoor use.
- The product is resistant to UV lights.
- Its design is oval in a way that does not harm the user.
- It grasps the pipe with its 114 mm double-walled inlet and is easy to install.



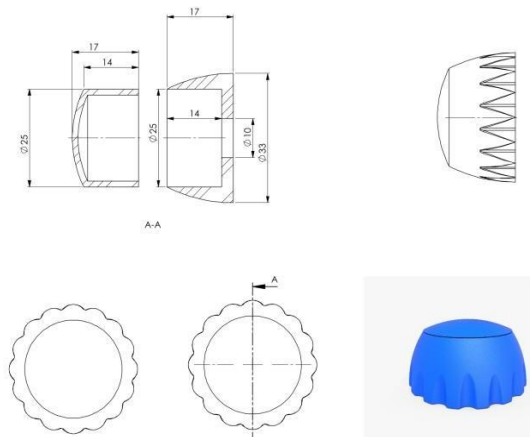
Ø 114 Anchor Cover

- Anchor caps measuring 114 mm are used to cover open-ended pipes in children's playgrounds, seesaws, swings, and other products.
- Anchor caps are produced from polythene plastic material for indoor and outdoor use.
- It is resistant to UV lights and is designed not to harm the user.
- It is manufactured as double-walled and assembled with a screwing system.



Screw Concealment

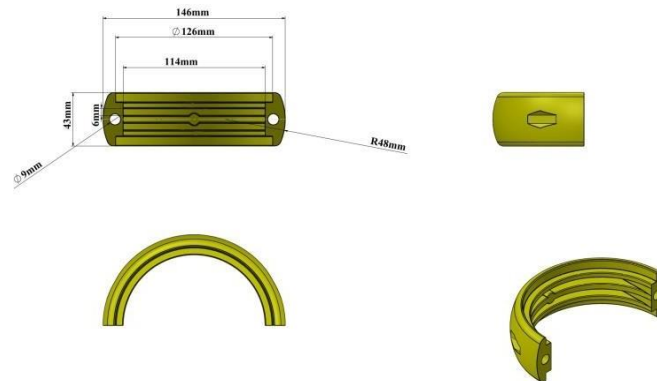
- Screw hides are used in all playgroups to prevent possible accidents and injuries.
- Screw hides; It provides an aesthetic appearance to playgroups and parking elements by allowing mounting elements such as screws and nuts to be hidden.
- Screw closures are produced from polythene plastic material by injection method, suitable for indoor and outdoor use.
- It is resistant to UV lights and is designed not to harm the user.



Connectors

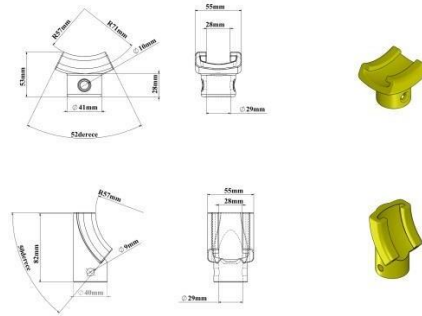
Ø 114 Plastic Clamps

- Plastic clamps, board on the playgroup, slide entrance, railings, etc. It enables the elements to be mounted on the carrier system with a diameter of 114 mm.
- Clamps are manufactured from fibrous polyamide raw material by injection method.
- The clamp is designed in accordance with the inner diameter 114 mm pipe.
- It does not rotate on the pipe surface when tightened.
- After the clamp is connected, there are no protrusions or sharp corners that may cause injury in any part of the clamp.
- It can be produced in the desired color.



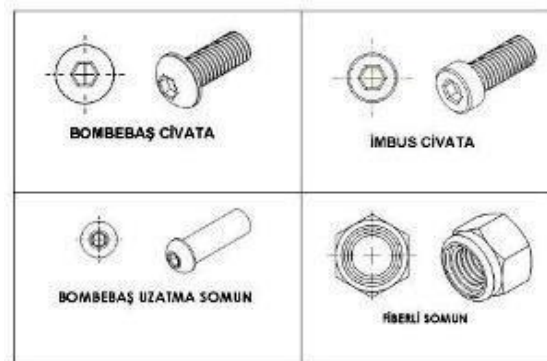
Ø114 Perpendicular Mouth

- Upright mouth, curved mouth, and platform wedge apparatus are used in the assembly of various playgrounds and sports equipment.
- It is produced from polyethylene material suitable for 114 mm pipe, suitable for indoor and outdoor use.
- The product is resistant to UV lights.
- Its design is in a structure that will not harm the user.
- It can be produced in desired colors.



Bolts, Nuts and Washers

- The fasteners (bolts, washers, and nuts) used in-game systems are produced as GeometB321 Plus or galvanized coating to protect them against corrosion.
- There are no nut and bolt protrusions anywhere in the playset.
- Except for the camber head nut within the playgroup, all nuts are produced with fiber.



Aluminum Doetail Clamp

- Doetail clamp made of 3 mm DKP sheet is used in the swing and climbing connections.
- The inner diameter of the clamp, which consists of 2 parts, is designed in accordance with the carrier pipe with a diameter of $\text{Ø}114$ mm and is connected to the carrier H on one side and to the horizontal carrier pipe on the other.
- When it is connected to the pipe and its bolts are tightened, there is no gap and loose.
- After the clamp connection is made, there are no protrusions or sharp corners that may cause injury anywhere.
- Bolt connections are designed to not loosen on their own.
- The parts are painted with polyester-based electrostatic powder oven paint by baking.

