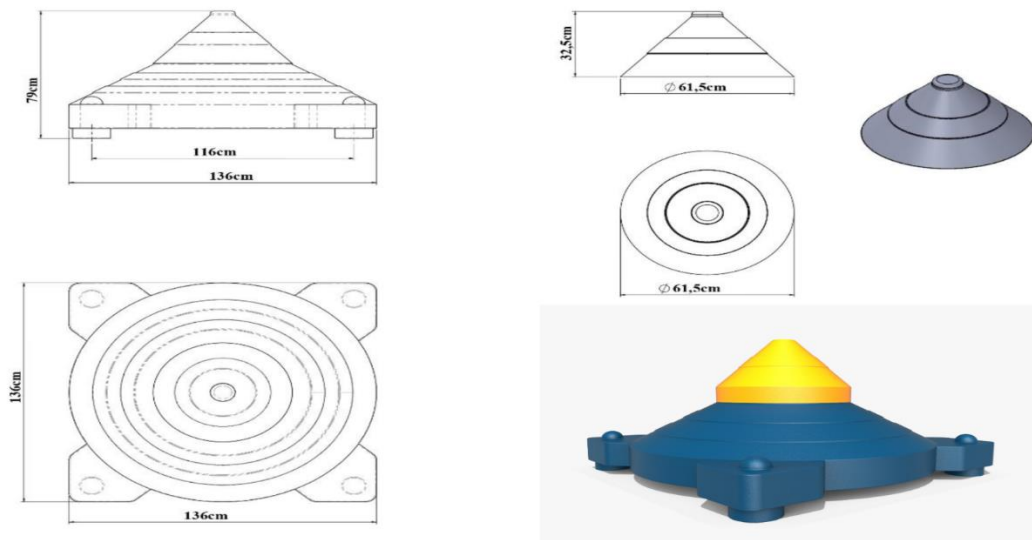


PY-07

Rocket Roof

- The rocket roof is manufactured from polyethylene plastic material, LLDPE (Linear Low-Density Polyethylene) with a minimum height of 71 cm, by rotation molding method, in two parts as body and upper apparatus, in self-color.
- In accordance with TS EN 1176-1, when measuring on the platform, the height between the platform and the roof is at least 1800 mm.
- The rocket roof is manufactured to be directly connected to the main construction.
- No connecting element is used in between.
- The upper apparatus is mounted to the roof body with 3 pcs screwing systems.



Dimensions	Depth	136 cm
	Width	136 cm
	Min. Rocket Roof Height	71 cm
Features	Min. Rocket Roof Weight	22 kg
	Raw material	LLDPE

