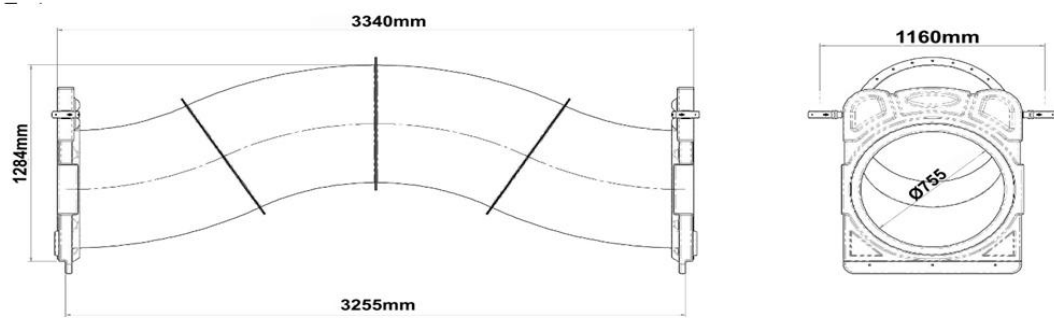


PY-36 315 Cm Curved Tube Passage

- H:315 inclined transparent tube passage with a minimum length of 3.15 m, designed to allow passage between two platforms; It is manufactured from 6 parts, 2 pcs tube inlet, 2 pcs 35 degree elbow tube, 2 pcs 35 degree transparent elbow tube, and self-colored polyethylene plastic material LLDPE (Linear Low Density Polyethylene) rotation molding method.
- Plastic clamp with staright connection apparatuses connection to the Ø 27 mm inner pipe ends attached to the inside of the polyethylene flat slide entrance panels and fixed to the Ø 114 mm tower pipes.
- The product produced as disassembled; It is made a whole by assembling the given tube parts to each other according to the given angles.
- In order for the product surface to be smooth; Sandblasting is applied to the surface of the mold made of aluminum or its equivalent material, and it is produced by passing the Teflon coating process for surface brightness.



Dimensions	Tube Passage Length	315 cm
	Panel Entry Diameter	75 cm
Features	Min. Weight	91 kg
	Raw material	LLDPE