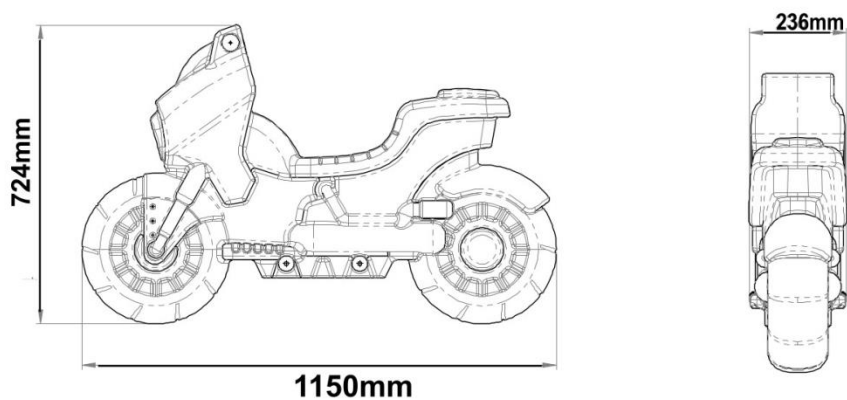


PY-68 Motorcycle Springer

- Motorcycle springer; It is manufactured from self-colored polyethylene plastic material, LLDPE (Linear Low Density Polyethylene) by rotation molding method, in one piece in accordance with the desired concept.
- For comfortable and safe use on the product, the footrest and hand grip bars are designed and produced ergonomically.
- Protection apparatus is used at both ends to prevent finger and handshake on the first winding heads.



Dimensions	Height	72 cm
	Width	115 cm
	Length	23 cm
Features	Weight	8 kg
	Raw materials	LLDPE