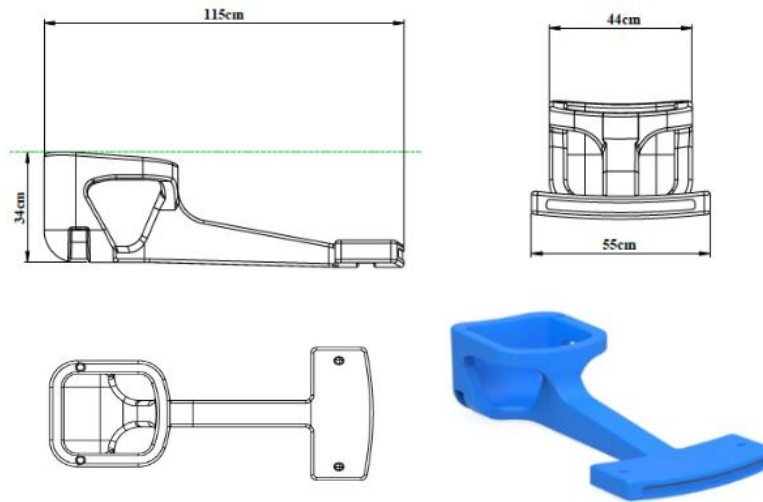


PY-79

Parent and Child Swing Seat

- The seat is made of LLDPE (Linear Low Density Polyethylene) self-colored polyethylene plastic material suitable for use by mother and child at the same time.
- The railing and seat are designed and manufactured as one piece.
- • The distance between the bottom of the polyethylene swing seat and the ground is not less than 40 cm.



Dimensions	Swing Seat Width	55 cm
	Swing Seat Length	34 cm
	Swing Seat Height	115 cm
	Raw materials	LLDPE